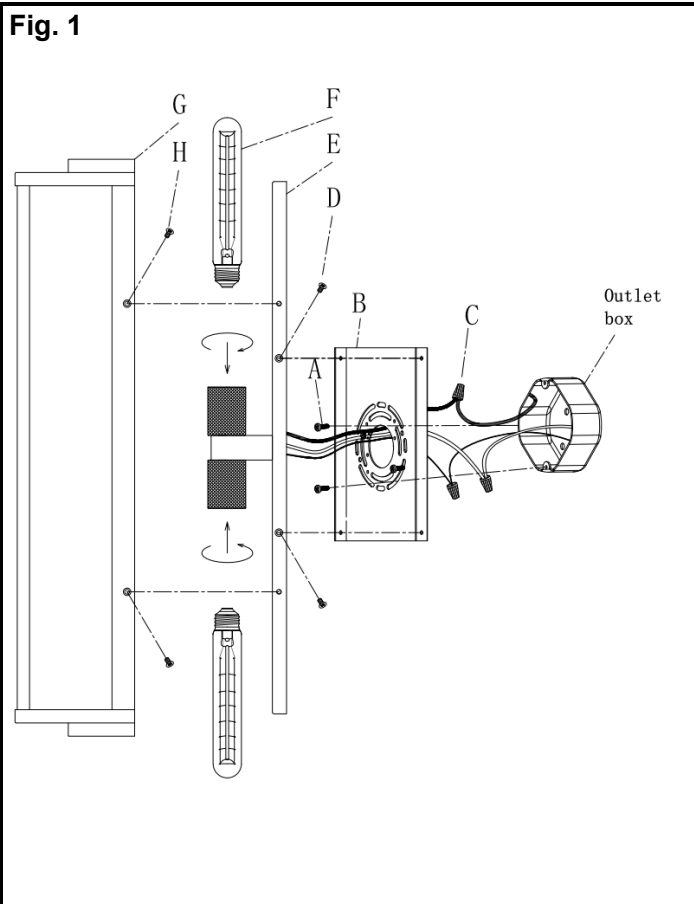


INSTALLATION INSTRUCTIONS

Faraday 2 Light Tall Outdoor Wall Sconce Item No. GPLP565134

WARNING! SHUT POWER OFF AT FUSE OR CIRCUIT BREAKER

Fig. 1



NOTE: INSTALLATION BY A LICENSED ELECTRICIAN IN ACCORDANCE WITH NATIONAL ELECTRICAL CODE (NEC) AND LOCAL REGULATIONS IS RECOMMENDED. ALL PARTS MUST BE USED AS INDICATED IN THESE INSTRUCTIONS.

HANGING THE FIXTURE (Fig. 1)

1. Shut off the power at the circuit breaker and remove the old fixture, including the mounting hardware.
2. Carefully unpack your new fixture and lay out all the parts on a clear area. Take care not to lose any small parts necessary for installation.
3. Loosen the screws(H) and take down the housing (G).
4. Attach the mounting plate (B) to the outlet box (not supplied) with mounting screws (A). Ground Wire must face out.

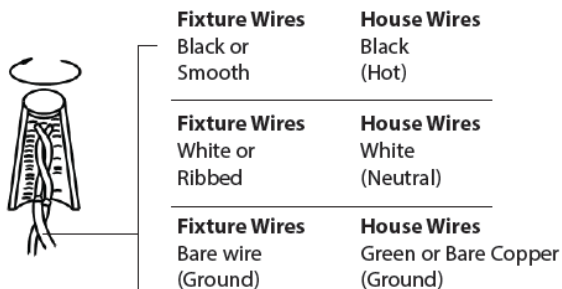
CONNECTING THE WIRES (Fig. 2).

5. Connect the electrical wires as shown in Fig.2. Making sure that all wire connectors are secured. If your outlet box has a ground wire (green or bare copper), connect the fixture's ground wire to it. Otherwise, connect the fixture's ground wire directly to the circular strap using the green screw provided.

COMPLETING THE INSTALLATION (Fig.1)

6. Align the fixture (E) to mounting plate (B) and secure with screws (D).
7. Install bulbs(F) (Medium base, not supplied), T bulb recommended. Secure the housing (G) back to the fixture (E) with screws(H).
8. To prevent moisture from entering the outlet box and causing a short, use clear caulking (i.e. Indoor/Outdoor Silicone Sealant) to outline the outside of fixture back. plate where it meets the wall leaving a space at bottom to allow moisture a means to escape. (Fig. 3)

Fig. 2



Your installation is now complete. Return power to the junction box and test the fixture.

Fig.3 Sealing

